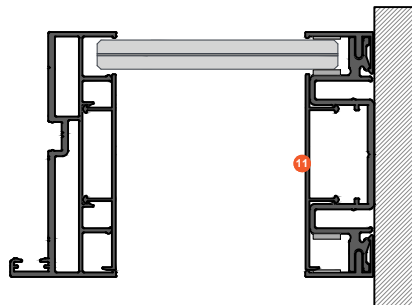
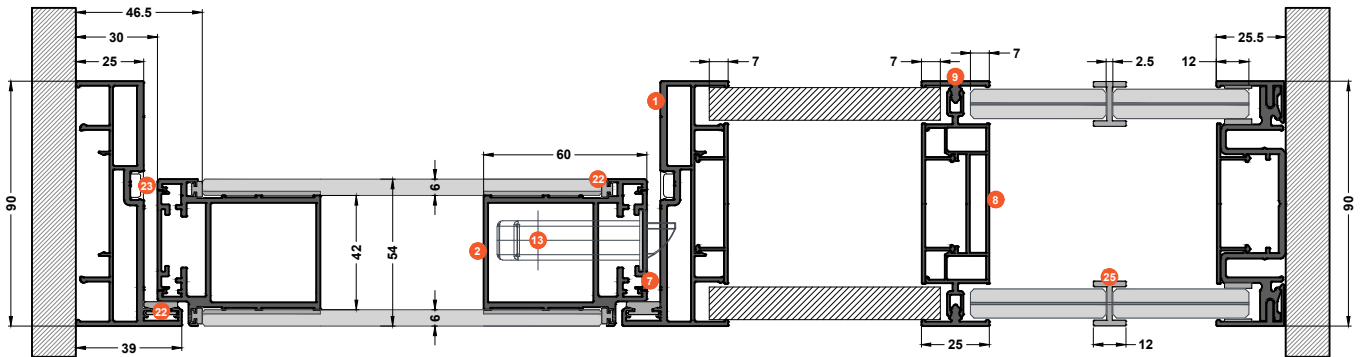
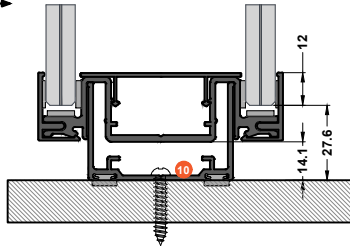


← OR →



1  GT90 - 1412 gr/m | Frame

2  GT91-1 - 1225 gr/m | Door frame

3  GG91 - 980 gr/m | Top track

4  GG90-1 - 1179 gr/m | Bottom track

5  GG90-2 - 202 gr/m | Cover frame

6  GG90-3 - 292 gr/m | Cover profile

7  GT91-2 - 202 gr/m | Cover profile for door frame

8  GG94-1 - 787 gr/m | Frame for fixed glass

9  GG94-2 - 164 gr/m | Glazing profile

10  GG92 - 691 gr/m | Bottom track

11  GG95 - 350 gr/m | Cover profile

12  SH90 | Unhidden hinge


13  LB90 | Mortise lock

14  35-45T | Cylinder

15  GT90DL | Door handle

16  8.3x42.4x7.5 | Frame Corner

17  8.3x29.2x7.5 | Frame Corner

18  1.0x12.4x1.1 | Frame Corner

19  38.3x36.3 | Door Frame Corner

20  1.0x6.8x1.1 | Door Frame Corner

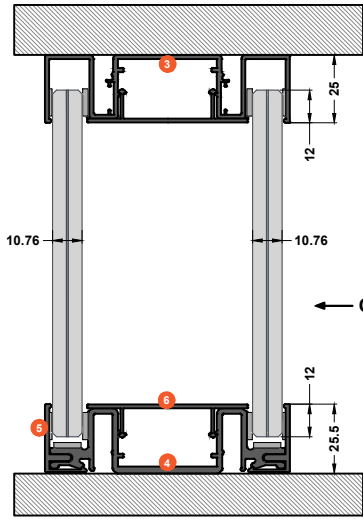
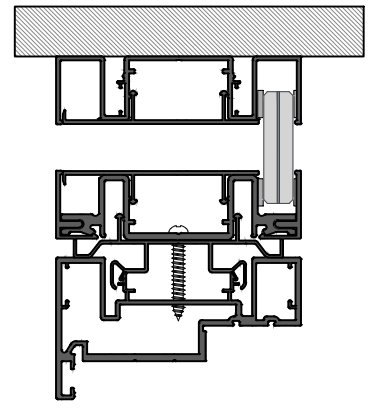
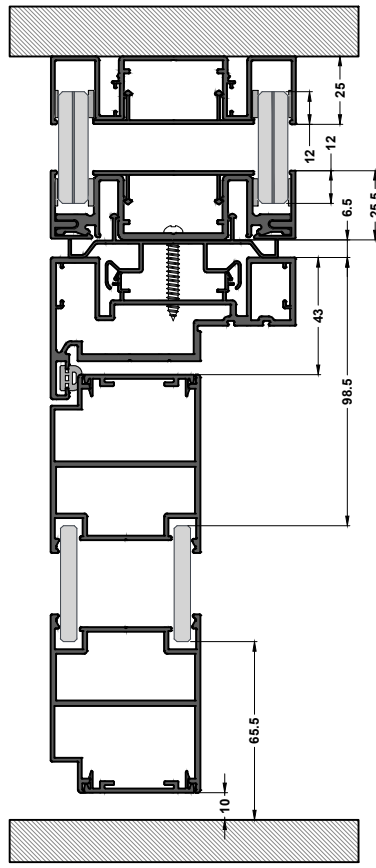
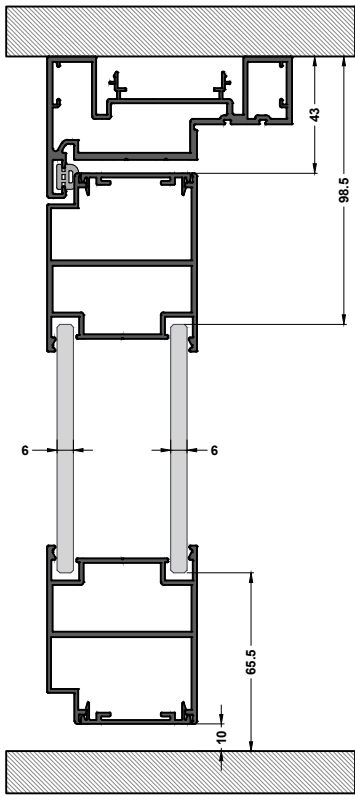
21  2.5x35.6 | Connector

22  GTR91 | Glass rubber

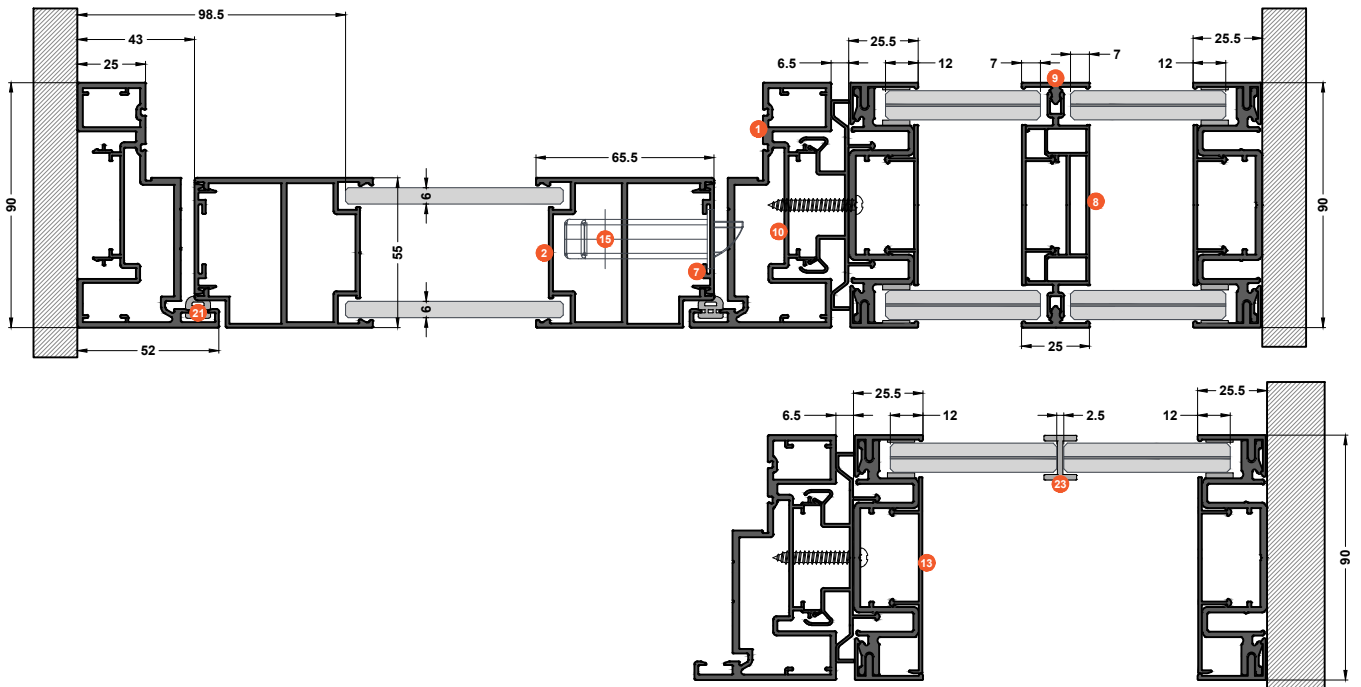
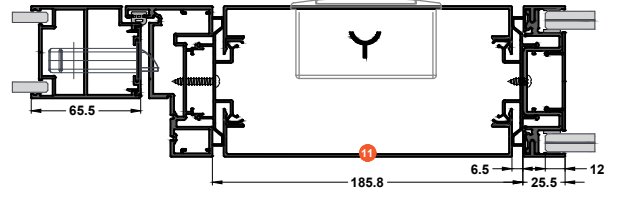
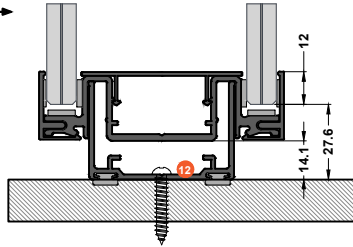
23  GTR90 | Rubber

24  GT90C | Gasket

25  S90 | Sealant



OR




1  GT92-1 - 1841 gr/m | Frame

2  GT93-1 - 1288 gr/m | Door frame

3  GG91 - 980 gr/m | Top track


4  GG90-1 - 1179 gr/m | Bottom track

5  GG90-2 - 202 gr/m | Cover frame

6  GG90-3 - 292 gr/m | Cover profile

7  GT93-2 - 257 gr/m | Cover profile for door frame

8  GG94-1 - 787 gr/m | Frame for fixed glass

9  GG94-2 - 164 gr/m | Glazing profile

10  GT92-2 - 542 gr/m | Connector profile

11  GG93 - 1025 gr/m | Cover profile

12  GG92 - 691 gr/m | Bottom track

13  GG95 - 350 gr/m | Cover profile

14  SH90 | Unhidden hinge

15  LB90 | Mortise lock

16  35-45T | Cylinder

17  GT90DL | Door handle

18  17.8x28.8 | Frame Corner

19  1.0x15.5x1.4 | Frame Corner

20  16.8x50.7 | Door Frame Corner

21  2.5x35.6 | Connector

22  GTR92 | Rubber

23  S90 | Sealant