

railway

Sliding systems



emuca 
furniture fittings solutions

Index

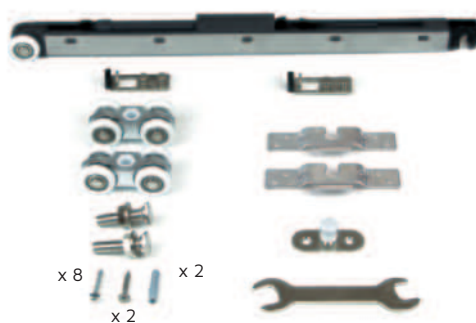
04 Railway

10 Porta 100

Railway

Wheel sets for a door with soft closing

Set di carrelli per una porta con chiusura soft
 Juego de carros para una puerta con cierre suave
 Jeu de chariot pour une porte avec fermeture amortie
 Jogo de carros para uma porta com fecho suave Soft
 Zestaw wózków do drzwi z cichym domykiem

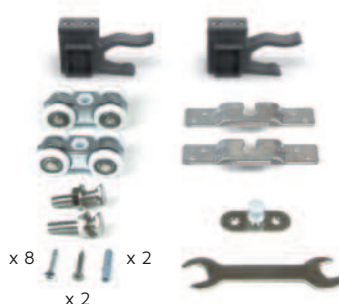


Max	Cod.		
40 kg	61142	20	1
80 kg	61143	20	1

Zamak, steel and plastic

Wheel sets for a door with stop brake

Set di carrelli per una porta con freno
 Juego de carros para una puerta con freno
 Jeu de chariot pour une porte avec butée de fermeture
 Jogo de carros para uma porta com batente de travão
 Zestaw wózków do drzwi ze stoperem



Cod.		
61144	20	1

Zamak, steel and plastic

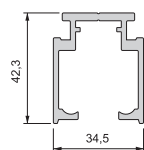
Accessories

Top rail

Binario superiore
 Carril superior
 Rail supérieur
 Calha superior
 Tor górny

L	Cod.		
2 m	61145	62	8
3,9 m	61146	62	8

Aluminium

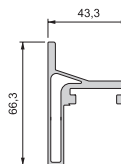


Wall mounting anchor

Staffa di montaggio a parete
 Anclaje montaje a pared
 Fixation montage mural
 Fixação de montagem à parede
 Mocowanie do ściany

Cod.		
61147	62	5

Aluminium

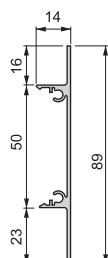


Cover track

Profilo copri binario
 Perfil tapa
 Profil cache
 Perfil tampa
 Ostona profilu

L	Cod.		
2 m	61150	62	8
3,9 m	61151	62	8

Aluminium

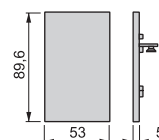


Set side covers

Set tappi di chiusura
 Juego de tapas laterales
 Jeu de caches latéraux
 Jogo de tampas laterais
 Zastaw ostion

Cod.		
61152	21	10

Plastic





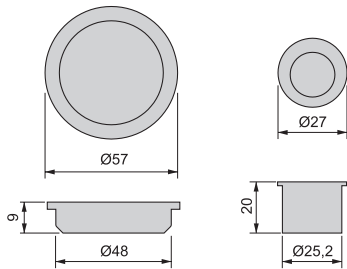
Railway

Set flush inset handle

Set de maniglie
Juego de tiradores
Jeu poignées
Jogo de puxadores
Zestawy uchwytów

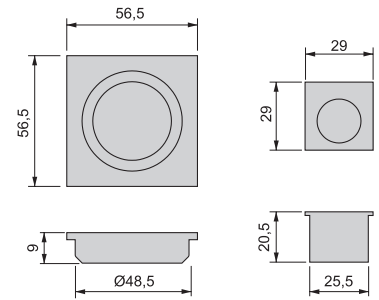
Cod.		
61160	51	1

Zamak

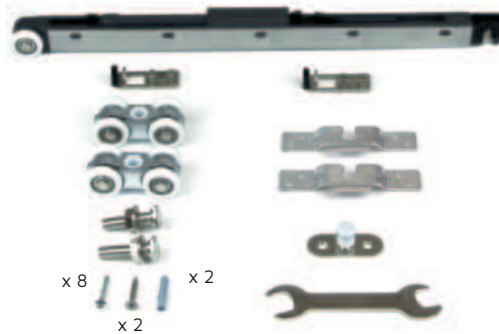
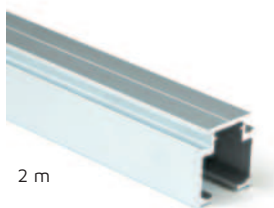
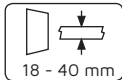


Cod.		
61161	51	1

Zamak

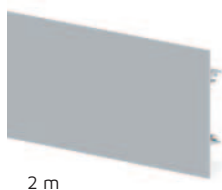


Kit Railway



	Cod.		
80 kg	60305	62	1

Zamak, steel and plastic

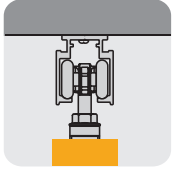


emuca

furniture fittings solutions



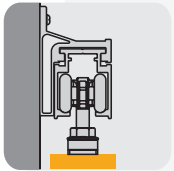
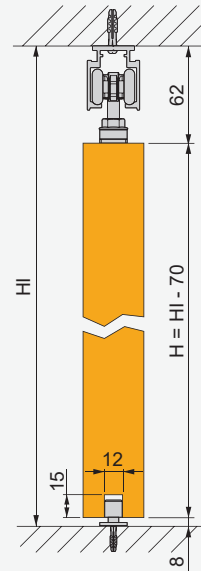
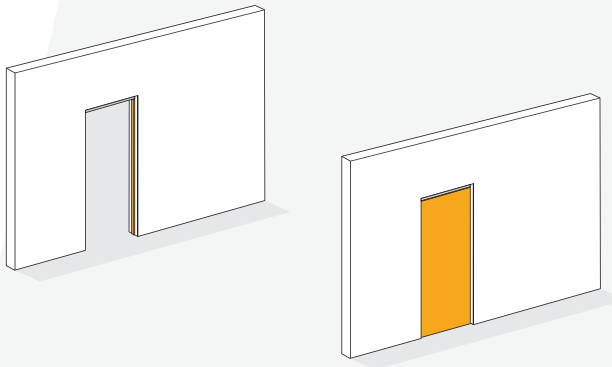
Assembly Railway



OPTION 1

CEILING MOUNTING

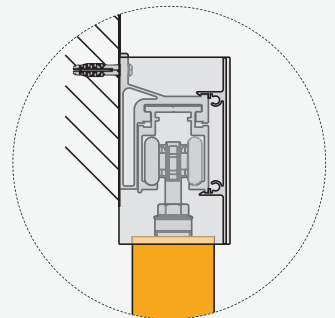
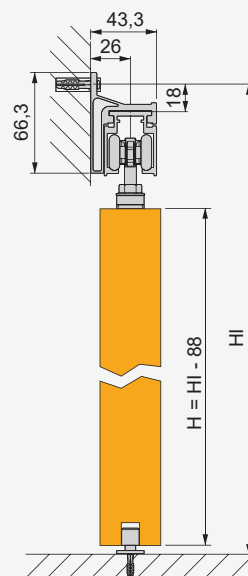
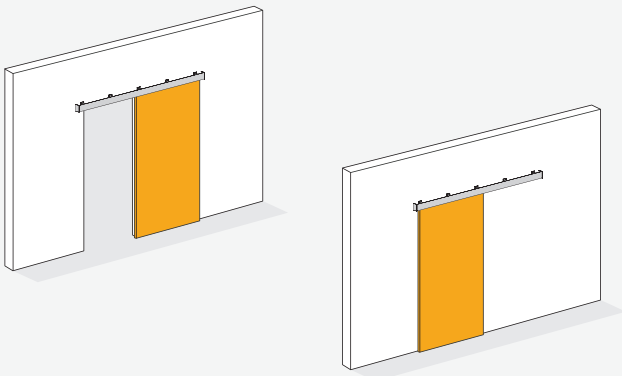
Montaggio a soffitto . Montaje a techo
 Montage au plafond . Montagem ao tecto
 Mocowanie do sufitu



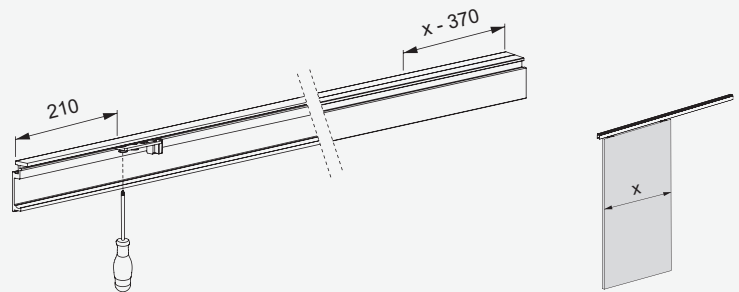
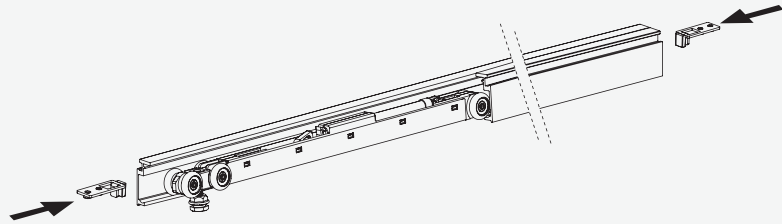
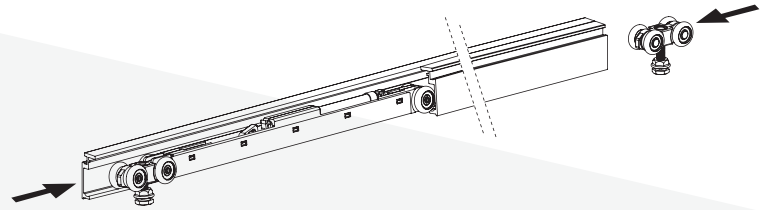
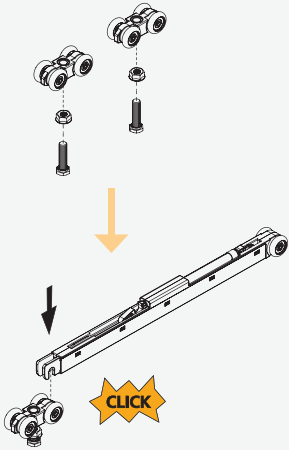
OPTION 2

WALL MOUNTING

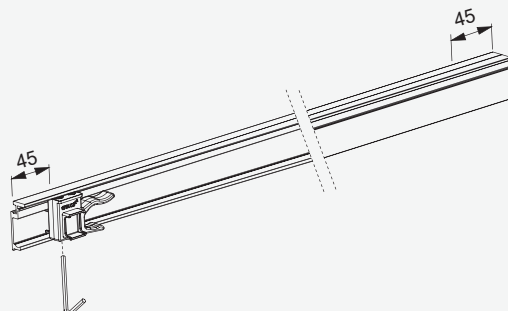
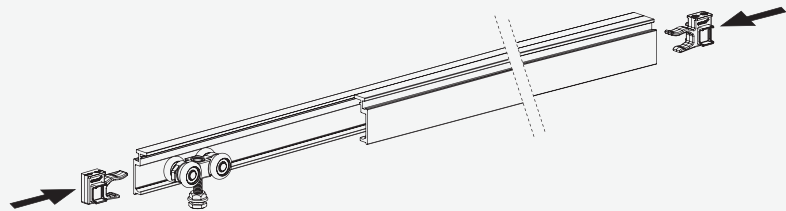
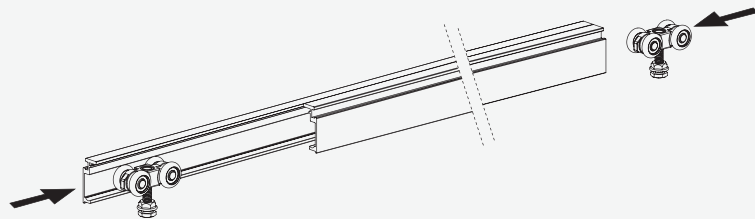
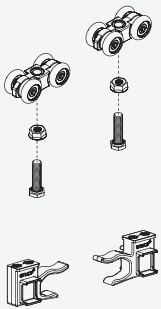
Montaggio a parete . Montaje a pared
 Montage mural . Montagem à parede
 Mocowanie do ściany



SLOW
WITH SOFT



NORMAL
WITH BRAKE

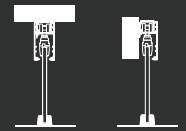
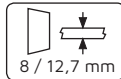


porta 100

Sliding systems



Kit Porta 100



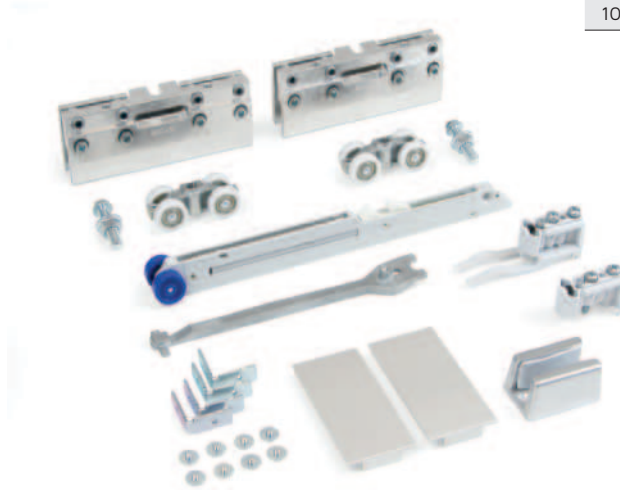
2 m



2 m

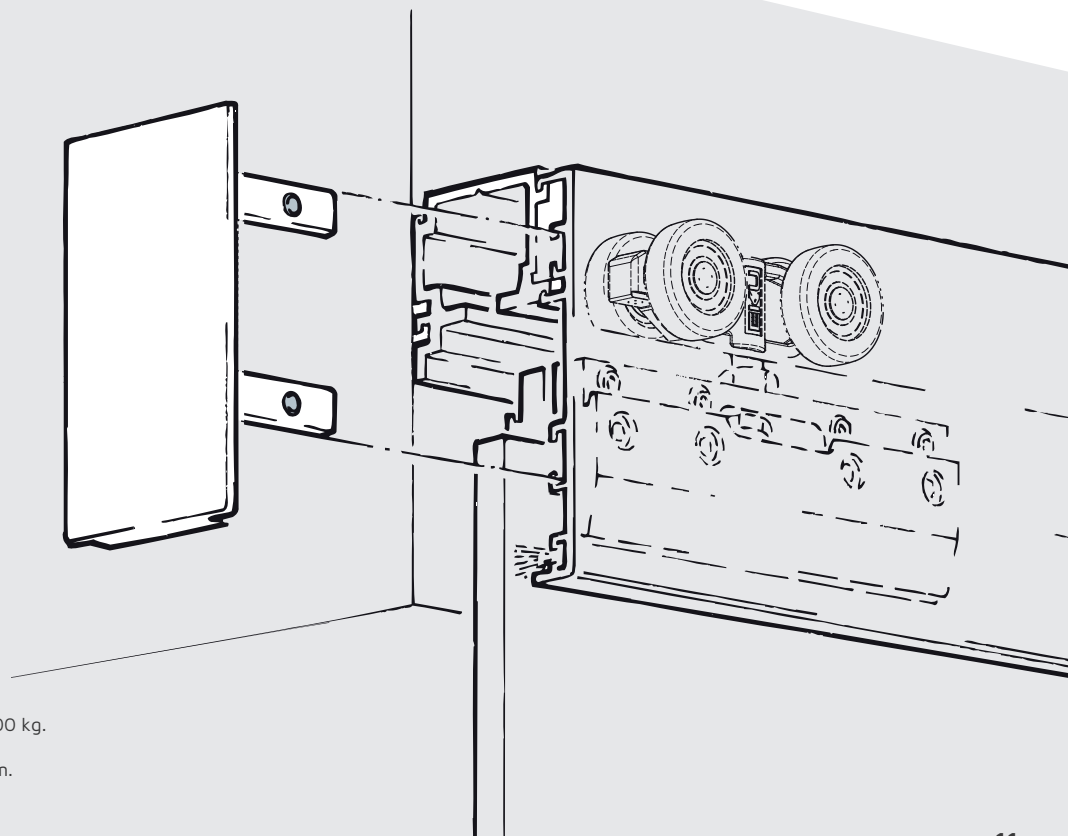
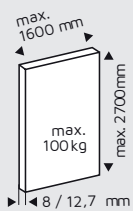


2 m



	Cod.	
100 kg	60344 62	1

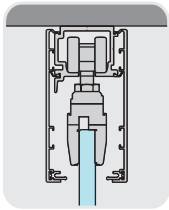
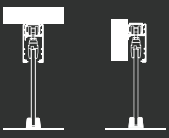
Aluminium and plastic



El juego incluye:

- 1 Juego de carros para una puerta de 100 kg.
- 1 Carril superior de 2 m.
- 1 Perfil tapa frontal para montaje de 2 m.
- 1 Juego de tapa laterales.
- 1 Juego de frenos soft y freno.

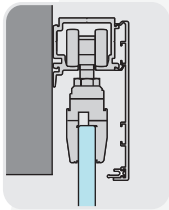
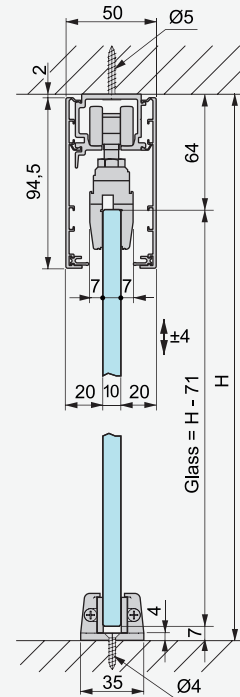
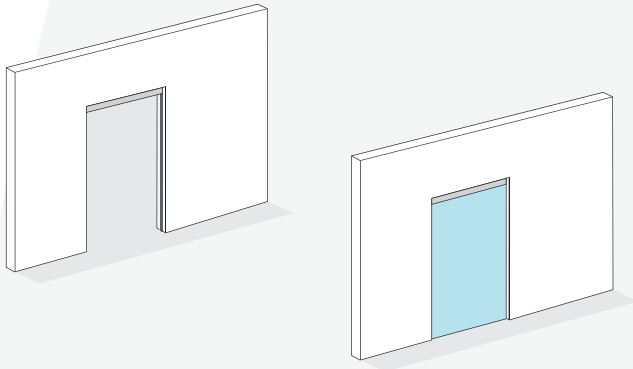
Assembly Porta 100



OPTION 1

CEILING MOUNTING

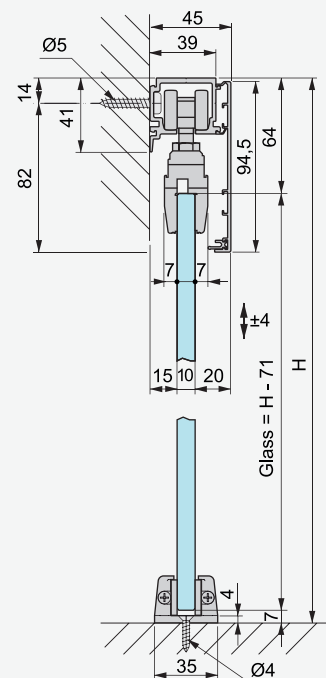
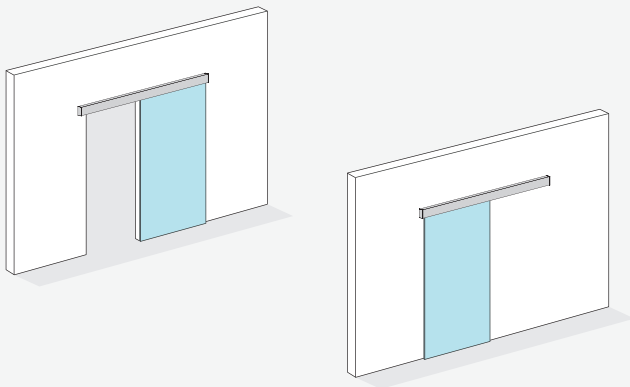
Montaggio a soffitto . Montaje a techo
 Montage au plafond . Montagem ao tecto
 Mocowanie do sufitu



OPTION 2

WALL MOUNTING

Montaggio a parete . Montaje a pared
 Montage mural . Montagem à parede
 Mocowanie do ściany





furniture fittings solutions



Emuca S.R.L.

Via Messico, 80 • 35127 Padova (ITALIA)
T. +39 049 8702800 • F. +39 049 87 03019
www.emuca.it • info@emuca.com

Emuca Ltd.

75 Springfield Road • Chelmsford • Essex
CM2 6JG (UK)
T. +44 1268 530 674 • F. +44 1268 282 592
www.emuca.co.uk • sales@emuca.com

Emuca S.A.

Pl. El Oliveral - c/H, 4 • Apartado de correos 176
46394 Riba-Roja del Túria • Valencia (ESPAÑA)
T. +34 96 166 70 19 • F. +34 96 166 71 82
www.emuca.es • emuca@emuca.com

Emuca S.A.R.L.

Parc de l'Aubinière • 2 Avenue des Améthystes
44338 Nantes Cedex 03 (FRANCE)
T. +33 2 49 88 07 35 • F. +33 2 72 22 02 24
www.emuca.fr • emuca@emuca.com

Emuca Lda.

AV. da Liberdade n° 36, 6° • 01250 Lisboa (PORTUGAL)
T. +351 211 203 940 • F. +34 96 166 71 82
www.emuca.pt • emuca@emuca.com

05/2020



CERTIQUALITY
È MEMBRO DELLA
FEDERAZIONE CISO



sliding systems

furniture
fittings
solutions

furniture fittings solutions

Index

- 04 Space + clip
- 08 Barn
- 10 Twofold
- 14 Railway Retrac

Space +



Space + clip

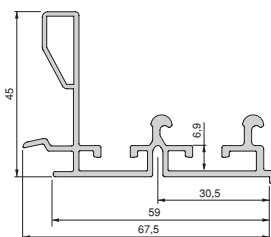


Space + rail Clip Set



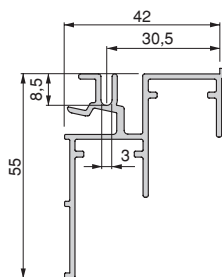
Cod.			
63200	21		
Plastic			

Space + reinforced upper rail Clip



L	Cod.		
2,35 m	63102	61	8
3,5 m	63103	61	6
Aluminium			

Space + lower rail Clip



L	Cod.		
2,35 m	63105	61	8
3,5 m	63106	61	6
Aluminium			

Space + set of upper and lower rail Clips



L	Cod.		
2,35 m	63108	61	8
3,5 m	63109	61	6
Aluminium			

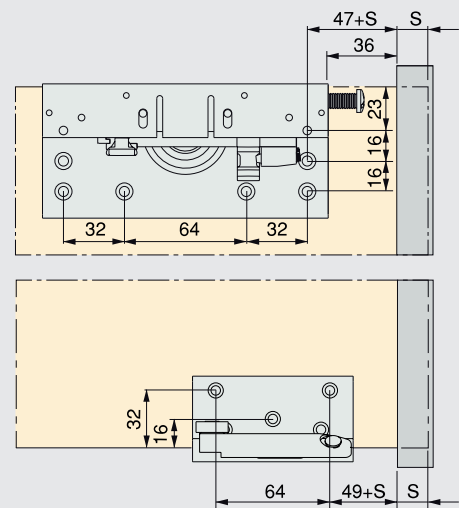
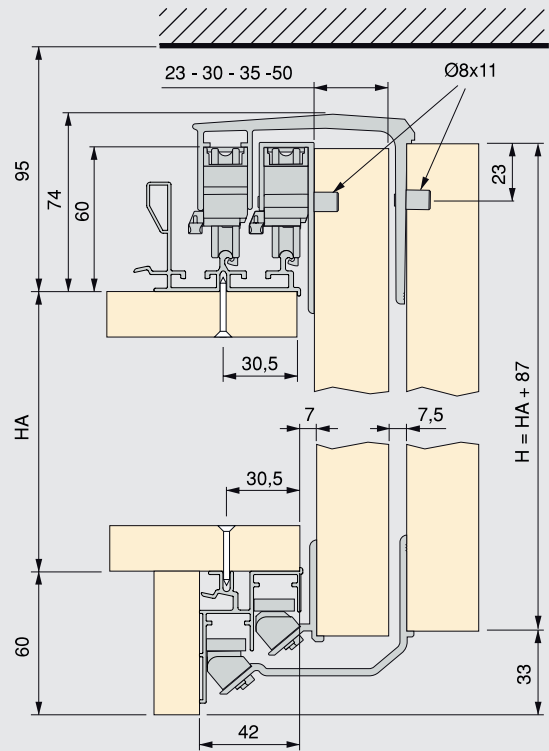
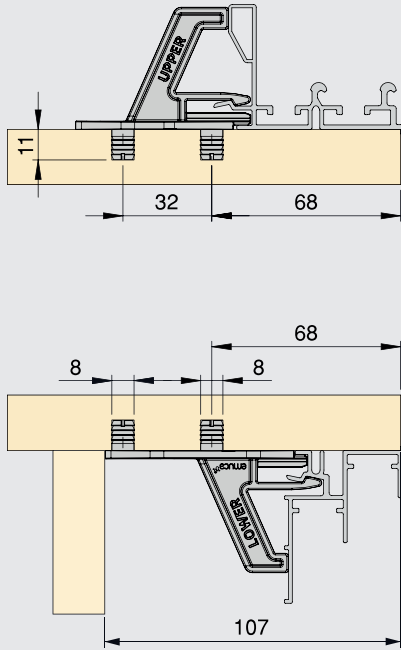
Space + clip



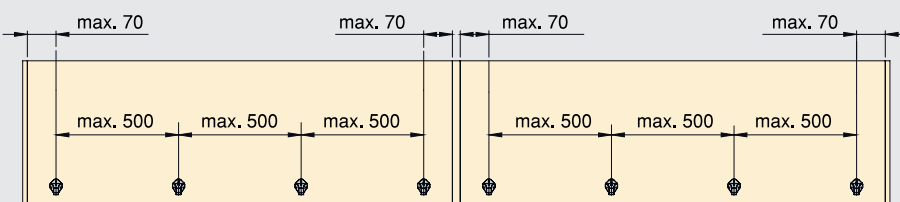
OPTION A

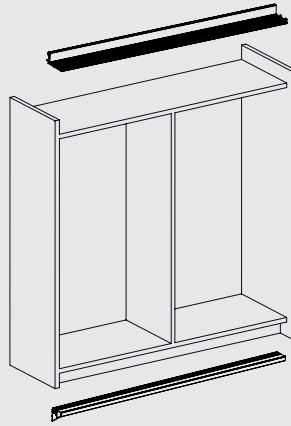


OPTION B

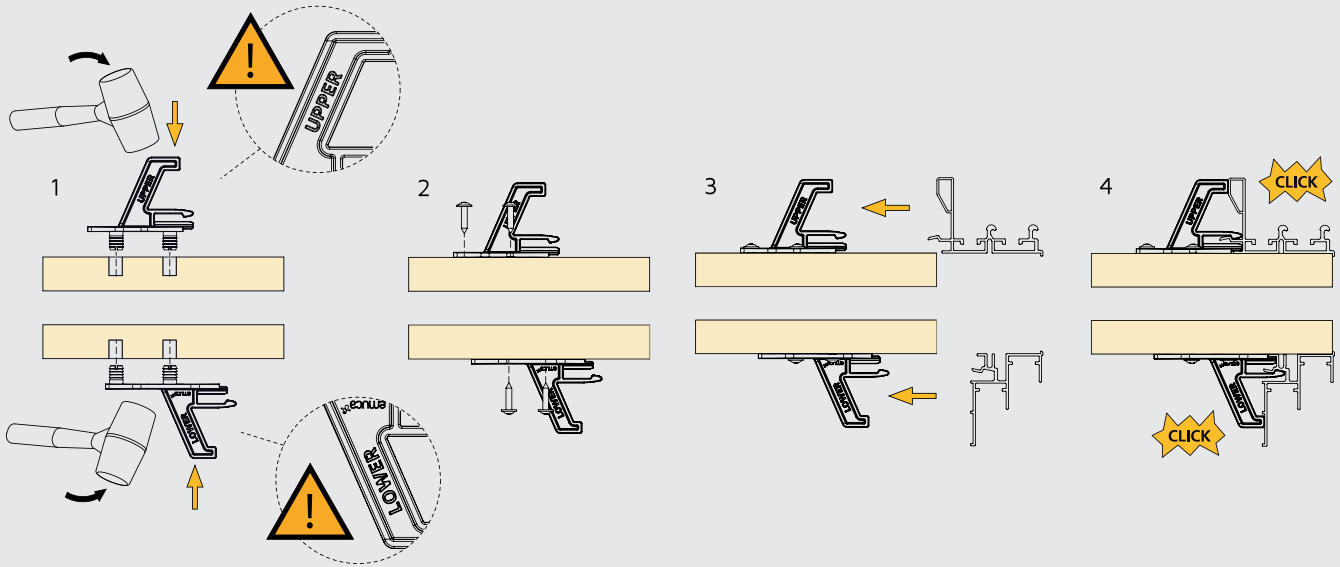


S: Overlay / Sormonto / Solape
Chevauchement / Sobreposição da ilharga

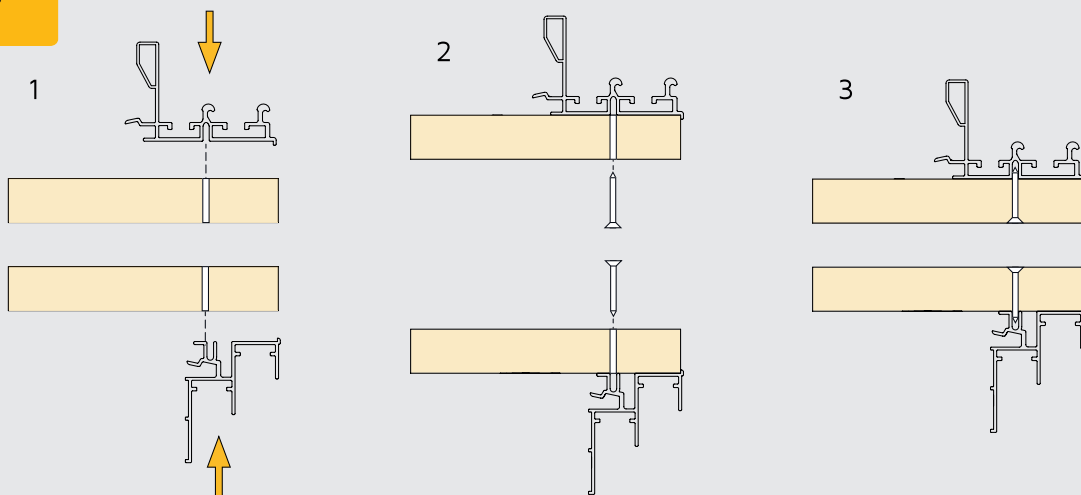




OPTION A



OPTION B



Barn

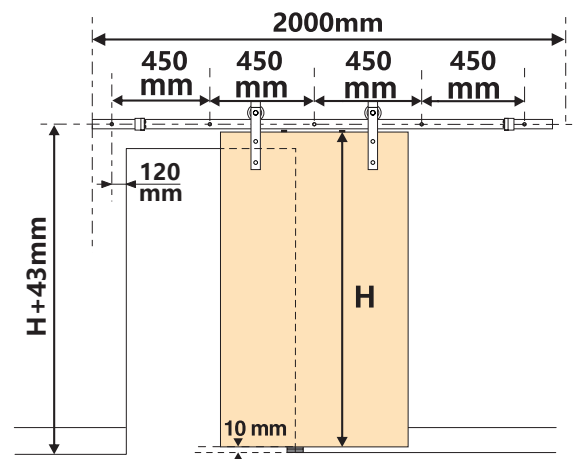


Barn system for suspended wooden sliding doors



	Cod.	
80 kg	61165 14	1

Steel



Twofold





Upper trolley for Twofold folding door system



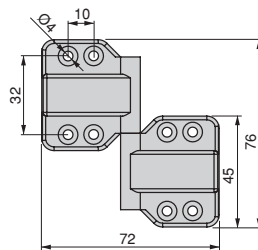
Cod.		
63220	07	10
Steel		

Lower trolley for Twofold folding door system



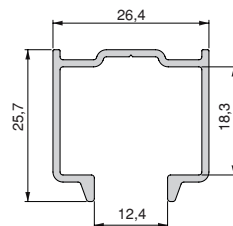
Cod.		
63222	07	10
Steel		

Central hinge for Twofold folding door system



Cod.		
63221	21	30
Plastic and Steel		

Upper rail for Twofold folding door system

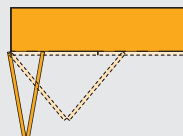


	Cod.		
2,35 m	63223	62	30
Aluminium			

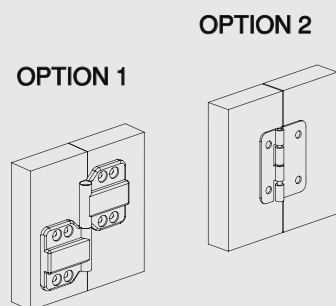
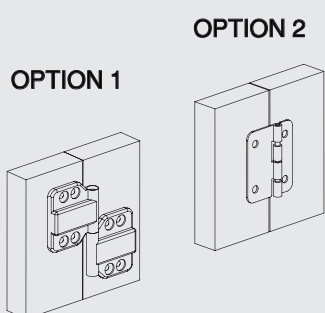
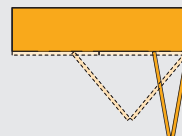
Twofold



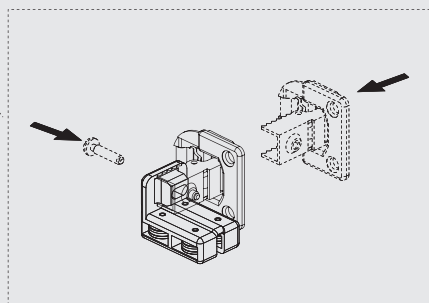
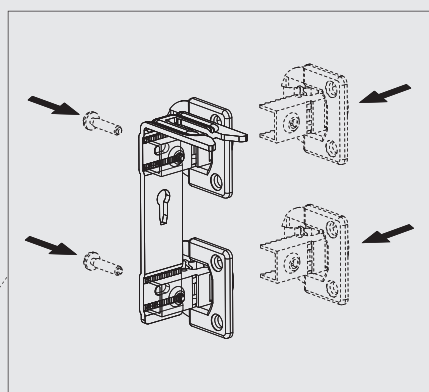
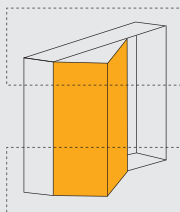
LEFT



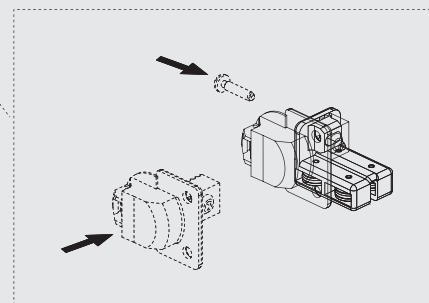
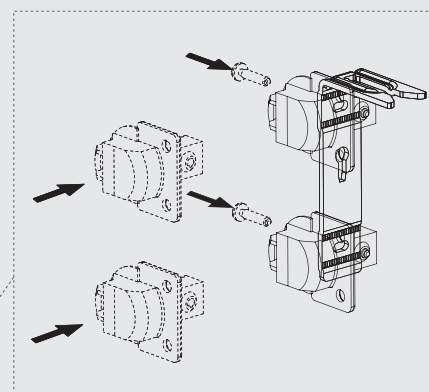
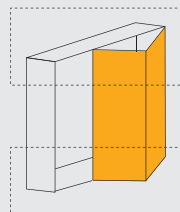
RIGHT

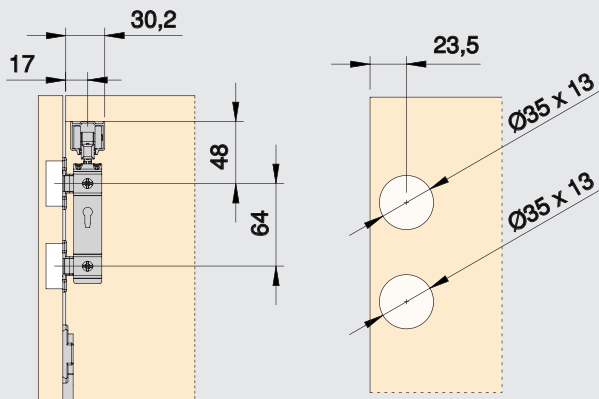


LEFT

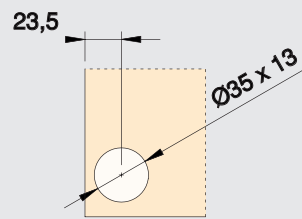
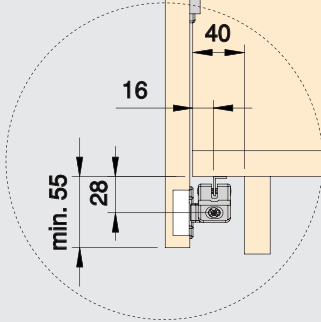


RIGHT

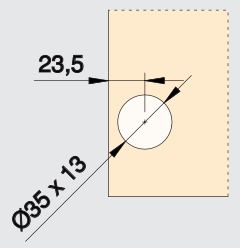
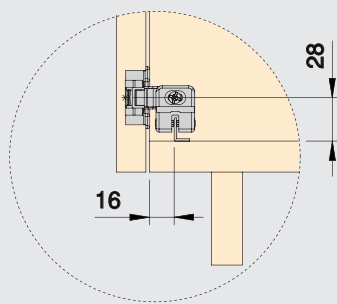




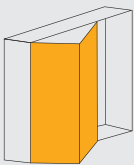
OPTION 1



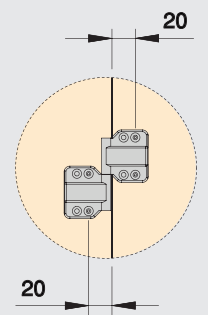
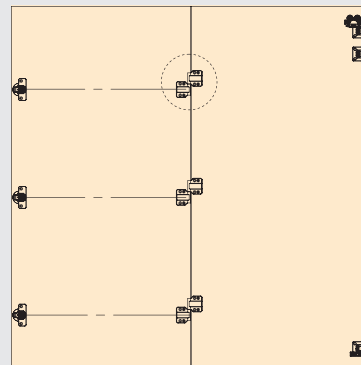
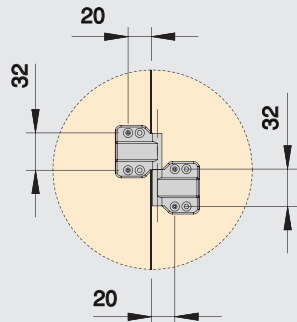
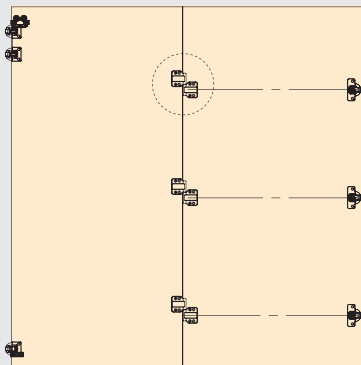
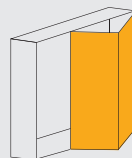
OPTION 2



LEFT



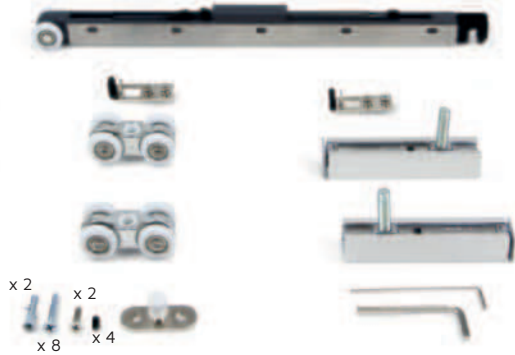
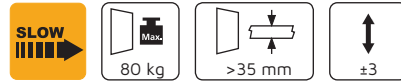
RIGHT



Railway Retrac



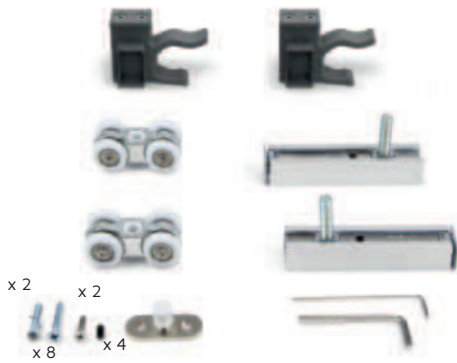
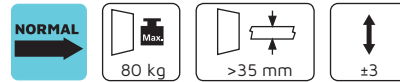
Railway Retrac trolley set for door with soft close



	Cod.		
40 kg	61157	20	1
80 kg	61158	20	1

Zamak, steel and plastic

Railway Retrac trolley set for door with brake



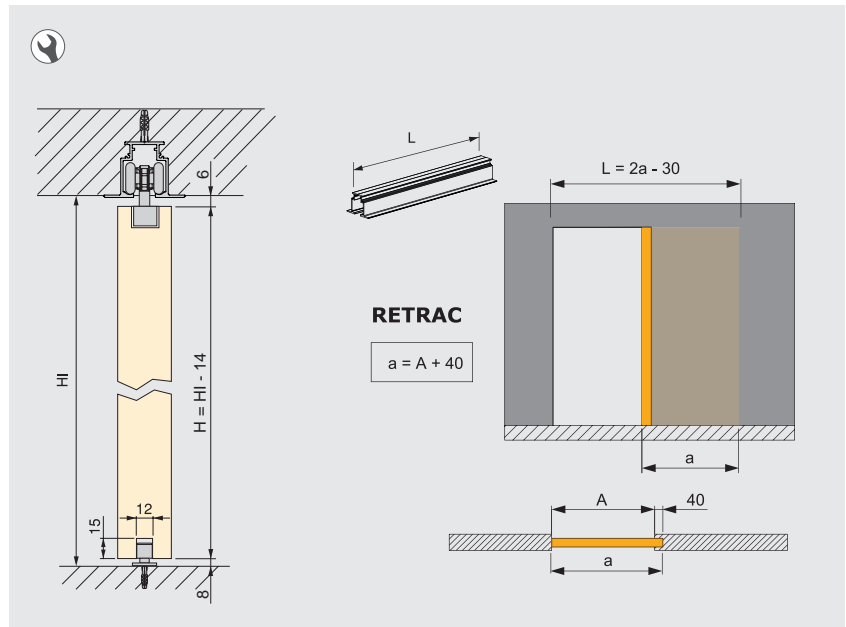
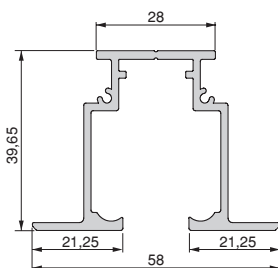
Cod.		
61159	20	1

Zamak, steel and plastic

Flush mounted upper rail for Railway Retrac system

L	Cod.		
2 m	61154	62	8
3,9 m	61155	62	4

Aluminium



furniture fittings solutions



Emuca S.R.L.

Via Messico, 80 • 35127 Padova (ITALIA)
T. +39 049 8702800 • F. +39 049 87 03019
www.emuca.it • info@emuca.com

Emuca Ltd.

75 Springfield Road • Chelmsford • Essex
CM2 6JG (UK)
T. +44 1268 530 674 • F. +44 1268 282 592
www.emuca.co.uk • sales@emuca.com

Emuca S.A.

Pl. El Oliveral - c/H, 4 • Apartado de correos 176
46394 Riba-Roja del Túria • Valencia (ESPAÑA)
T. +34 96 166 70 19 • F. +34 96 166 71 82
www.emuca.es • emuca@emuca.com

Emuca S.A.R.L.

Parc de l'Aubinière • 2 Avenue des Améthystes
44338 Nantes Cedex 03 (FRANCE)
T. +33 2 49 88 07 35 • F. +33 2 72 22 02 24
www.emuca.fr • emuca@emuca.com

Emuca Lda.

AV. da Liberdade n° 38, 4° • 1250-145 Lisboa (PORTUGAL)
T. +351 211 203 940 • F. +34 96 166 71 82
www.emuca.pt • emuca@emuca.com

10/2020



CERTIQUALITY
È MEMBRO DELLA
FEDERAZIONE CISO



wardrobe rails

Barre per armadio Barras para armario
Barres pour armoires Varões de roupeiro
Drażki do szaf Schrankstangen



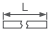

furniture fittings solutions

Index

- 04 Rails kits
- 06 Luxe rail
- 08 Ø28 rail
- 09 Silk rail
- 10 Others rails

Silk kit




	Cod. 	
0,75 m	70701 62	1

Aluminium and plastic

- With semi-hard P.V.C profile to avoid coathanger noise and scratches.

Silk kit

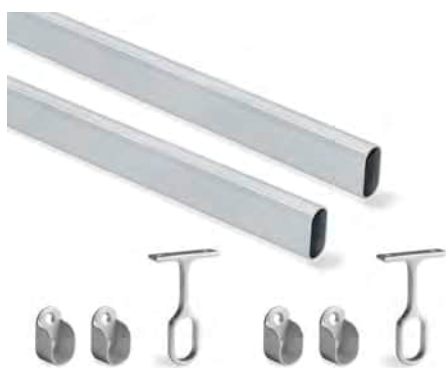





	Cod. 	
1,15 m	70700 62	1

Aluminium and plastic

- With semi-hard P.V.C profile to avoid coathanger noise and scratches.

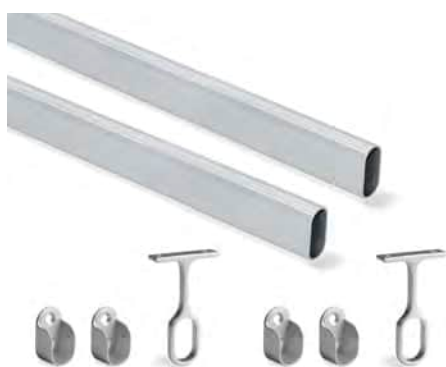
Aluminium kit






	Cod. 	
0,75 m	70703 62	1

Aluminium and zamak

Aluminium kit






	Cod. 	
1,15 m	70702 62	1

Aluminium and zamak

Steel kit






	Cod. 	
0,75 m	70705 11	1

Steel and zamak

Steel kit



	Cod. 	
1,15 m	70704 11	1

Steel and zamak




Ø28 kit



62



13

	Cod. 	
0,75 m	70707 13 62	1

Aluminium and zamak




Ø28 kit



62



13

	Cod. 	
1,15 m	70706 13 62	1

Aluminium and zamak



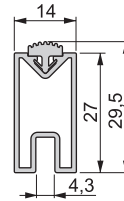
Luxe rectangular rail



62



13



	Cod.	
2,35 m	71008 13 62	10

Aluminium and plastic

- With semi-hard P.V.C profile to avoid coathanger noise and scratches.

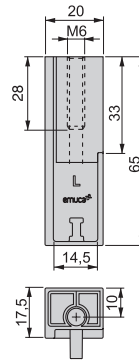
Lateral support



62



13



Cod.	
71020 13 25	10

Zamak

- M6 x 40 screw included.



To calculate the measurement of the bar, subtract 10 mm from the inter-axis of the end support.

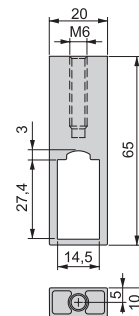
Central support



62



13



Cod.	
71003 13 25	20

Zamak

- M6 x 40 screw included.

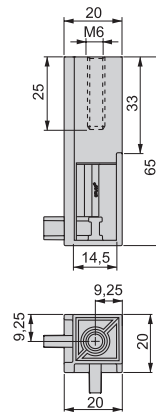
Corner support



62



13



Cod.	
71002 13 25	20

Zamak

- M6 x 40 screw included.

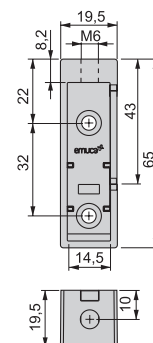
Lateral support



62



13



Hand	Cod.	
Right	71005 25 43	100
Left	71004 25 43	100

Plastic

- M6 x 40 screw included.

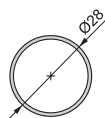


To calculate the measurement of the rail subtract 11 mm from the internal width.

Ø28 aluminium rail



62



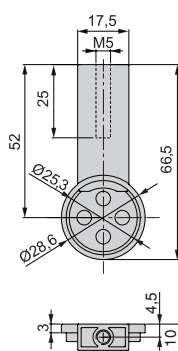
	Cod.	
2,35 m	60578 13 14 62 73	10

Aluminium

Ø28 lateral support



62



Cod.

79225 13 14 25 73

Zamak

• M5 x 38 screw included.

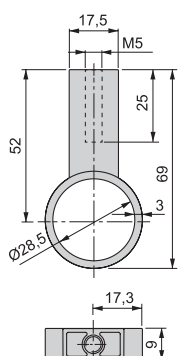


To calculate the measurement of the bar, subtract 3 mm from the inter-axis of the end support.

Ø28 lateral support



62



Cod.

79197 13 14 25 73

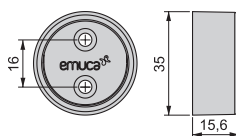
Zamak

• M5 x 38 screw included.

Ø28 lateral support



21



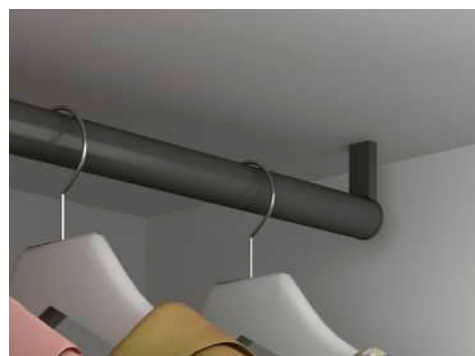
Cod.

79198 17 21 43

Zamak and plastic



To calculate the measurement of the rail subtract 6 mm from the internal width.



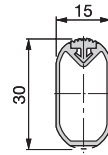
Silk rails



62



14



	Cod.	
2,35 m	60721 14 62	10

Aluminium and plastic

- With semi-hard P.V.C profile to avoid coathanger noise and scratches.

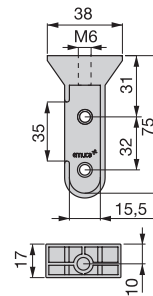
Silk lateral support



62



14



Cod.	
71010 14 25	10

Plastic

- M6 x 40 screw included.



To calculate the measurement of the rail subtract 7 mm from the internal width.

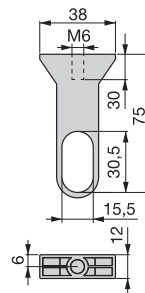
Silk central support



62



14



Cod.	
60031 14 25	20

Plastic

- M6 x 40 screw included.

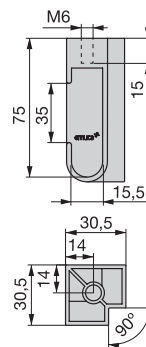
Silk corner support



62



14



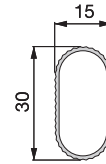
Cod.	
60032 14 25	20

Plastic

- M6 x 40 screw included.



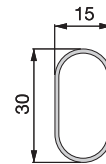
Aluminium rail



L	Cod.	Color	Box
2,35 m	62203	62	10
3,9 m	62202	62	15

Aluminium

Steel rail



L	Cod.	Color	Box
2,35 m	70094	11	10

Steel

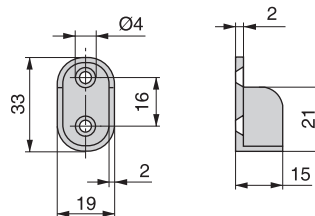
Lateral support



07



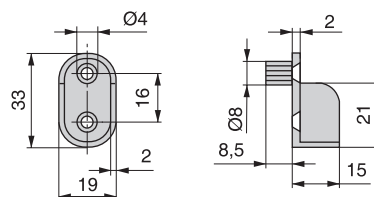
25



Cod.	Color	Box
90168	07	25

Zamak

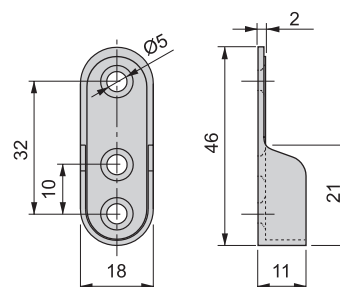
Direct-mounted support



Cod.	Color	Box
90167	07	500

Zamak

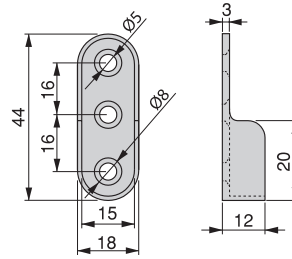
Lateral support



Cod.	Color	Box
40070	07	500

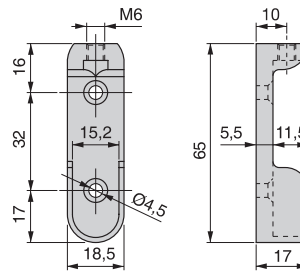
Steel

Lateral support



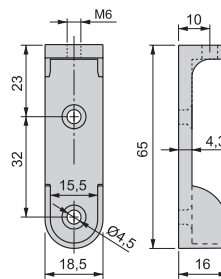
Cod.		
90723	07	500
Zamak		

Lateral support



Cod.		
60474	07 25	200
Zamak		

Lateral support



Cod.		
71468	07 25	250
Zamak		

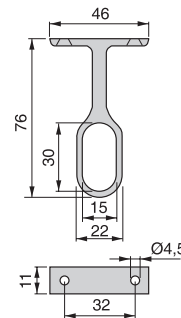
T central support



07

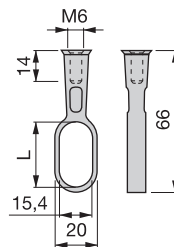


25



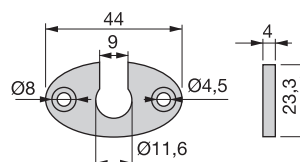
Cod.		
60026	07 25	300
Zamak		

Central support



L	Cod.		
30	81203	25	500
Zamak			

Base for central support



Cod.		
81204	25	500
Zamak		



furniture fittings solutions



Printed on chlorine-free paper (TCF)
Stampato su carta senza cloro (TCF)
Impreso en papel sin cloro (TCF)
Imprimé sur papier sans chlore (TCF)
Impresso em papel sem cloro (TCF)
Wydrukowano na papierze nie zawierającym chloru (TCF)

EMUCA reserves the right to make changes to specification without prior notice.
EMUCA si riserva la facoltà di introdurre cambi alle specifiche tecniche senza nessun preavviso.
EMUCA se reserva el derecho de introducir cambios en las especificaciones técnicas sin previo aviso.
EMUCA se réserve le droit de modifier les spécifications techniques sans avis préalable.
A EMUCA reserva-se o direito de introduzir alterações nas especificações técnicas sem aviso prévio.
Firma EMUCA zastrzega sobie prawo wprowadzania zmian w specyfikacjach technicznych bez uprzedniego powiadomienia

emuca.com



Emuca S.R.L.

Via Messico, 80 • 35127 Padova (ITALIA)
T. +39 049 8702800 • F. +39 049 87 03019
www.emuca.it • info@emuca.com

Emuca Ltd.

75 Springfield Road • Chelmsford • Essex
CM2 6JG (UK)
T. +44 1268 530 674 • F. +44 1268 282 592
www.emuca.co.uk • sales@emuca.com

Emuca S.A.

Pl. El Oliveral - c/H, 4 • Apartado de correos 176
46394 Ribà-Roja del Túria • Valencia (ESPAÑA)
T. +34 96 166 70 19 • F. +34 96 166 71 82
www.emuca.es • emuca@emuca.com

Emuca S.A.R.L.

Parc de l'Aubinière • 2 Avenue des Améthystes
44338 Nantes Cedex 03 (FRANCE)
T. +33 2 49 88 07 35 • F. +33 2 72 22 02 24
www.emuca.fr • emuca@emuca.com

Emuca Lda.

AV. da Liberdade n° 36, 6° • 01250 Lisboa (PORTUGAL)
T. +351 211 203 940 • F. +34 96 166 71 82
www.emuca.pt • emuca@emuca.com

