

mirrors

Pegasus Casiopeia Hercules



emuca 
furniture fittings solutions

furniture fittings solutions

Index

- 04 Hercules
- 08 Cassiopeia
- 10 Pegasus

hercules



Special bathroom



36.000h

Long useful life



mirrors with integrated lighting

LED

Low consumption

IP44

Degree of protection



free

Anti-fog system



position

Two positions



Touch switch



easy

Easy installation





included

Includes elements for assembly



Hercules

Lumen	WATT	Colour	Cod.	
1.728 lm	45 W	 4.000 K	51483 20	1

Various



free

Anti-fog system

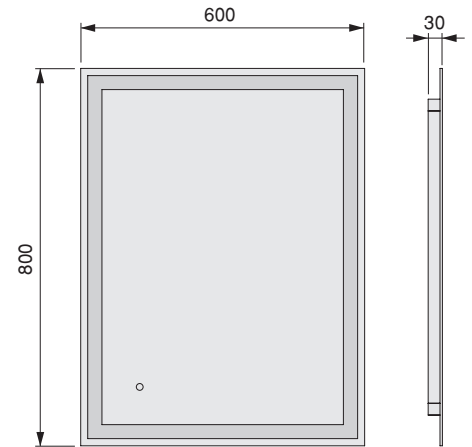


position

Two positions



Touch switch









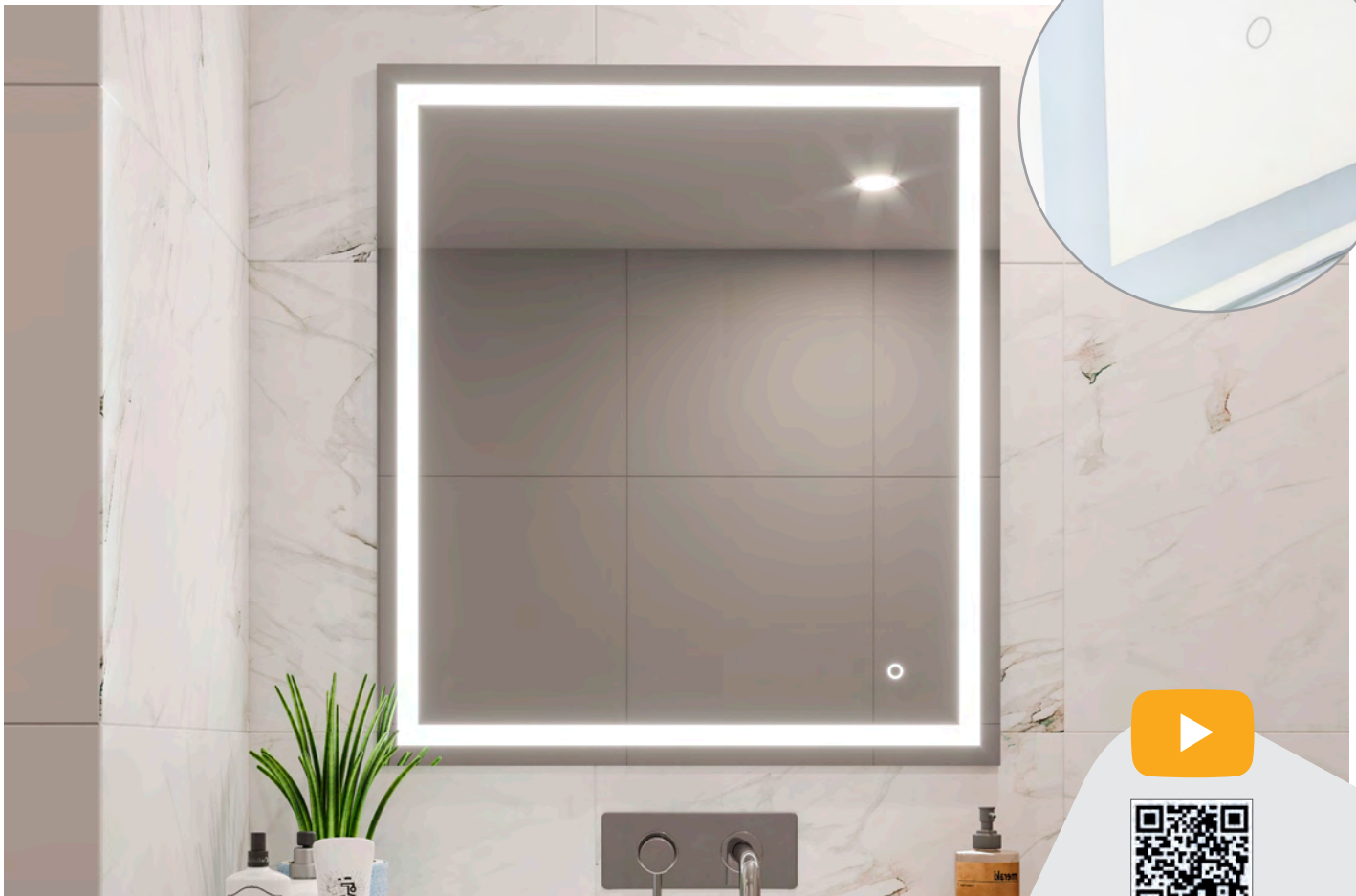












cassiopeia



Special bathroom



36.000h

Long useful life



mirrors with integrated lighting

LED

Low consumption

IP44

Degree of protection



free

Anti-fog system



easy

Easy installation





included

Includes elements for assembly





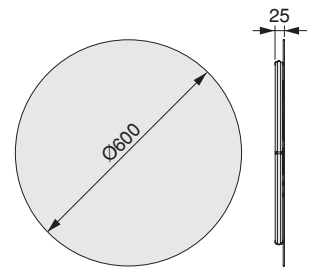
Cassiopeia

Lumen	WATT	Colour	Cod.	
718 lm	20 W + 12 W	 4.000 K	51482 20	1

Various



Anti-fog system



pegasus



Special bathroom



36.000h

Long useful life



mirrors with integrated lighting

LED

Low consumption

IP44

Degree of protection



Corrosion protection



easy

Easy installation






included

Includes elements for assembly





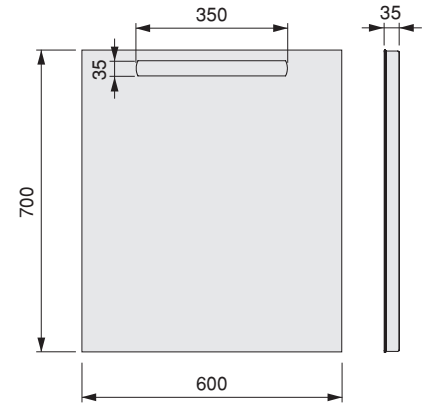
Pegasus

Lumen	WATT	Colour	Cod. 	
414 lm	6 W	 4.000 K	51481 20	1

Various



Corrosion protection









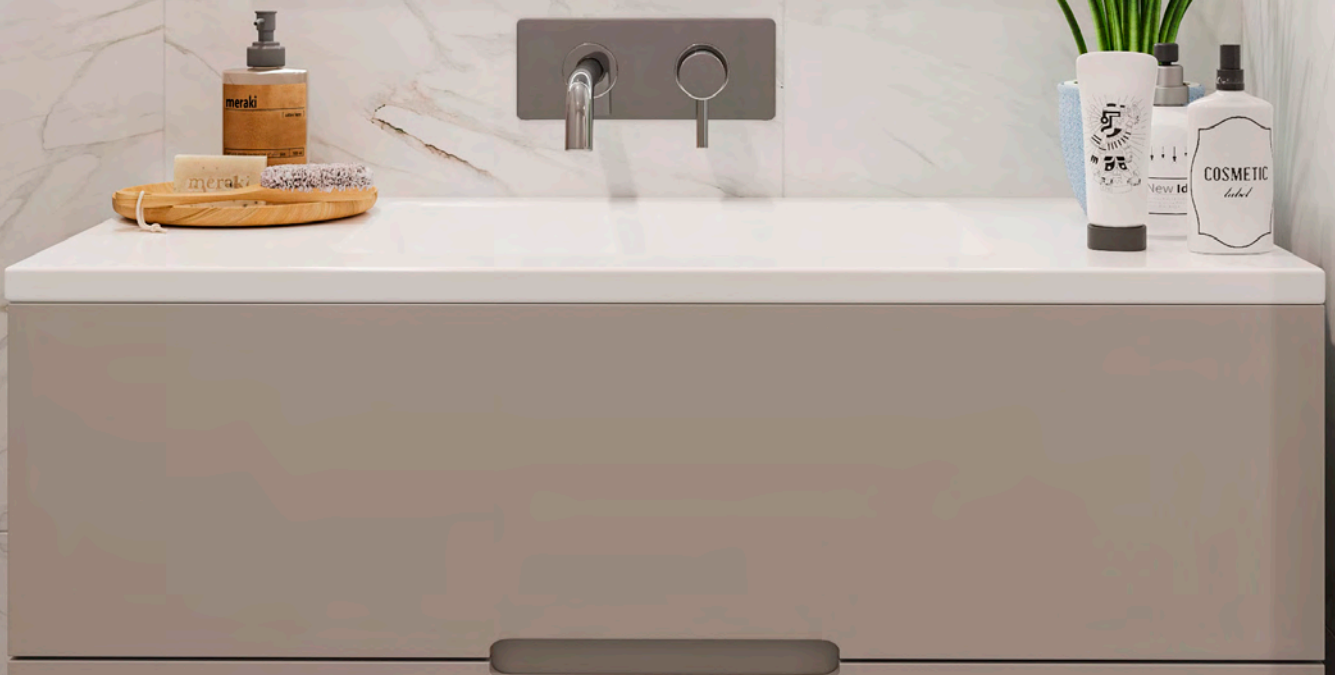
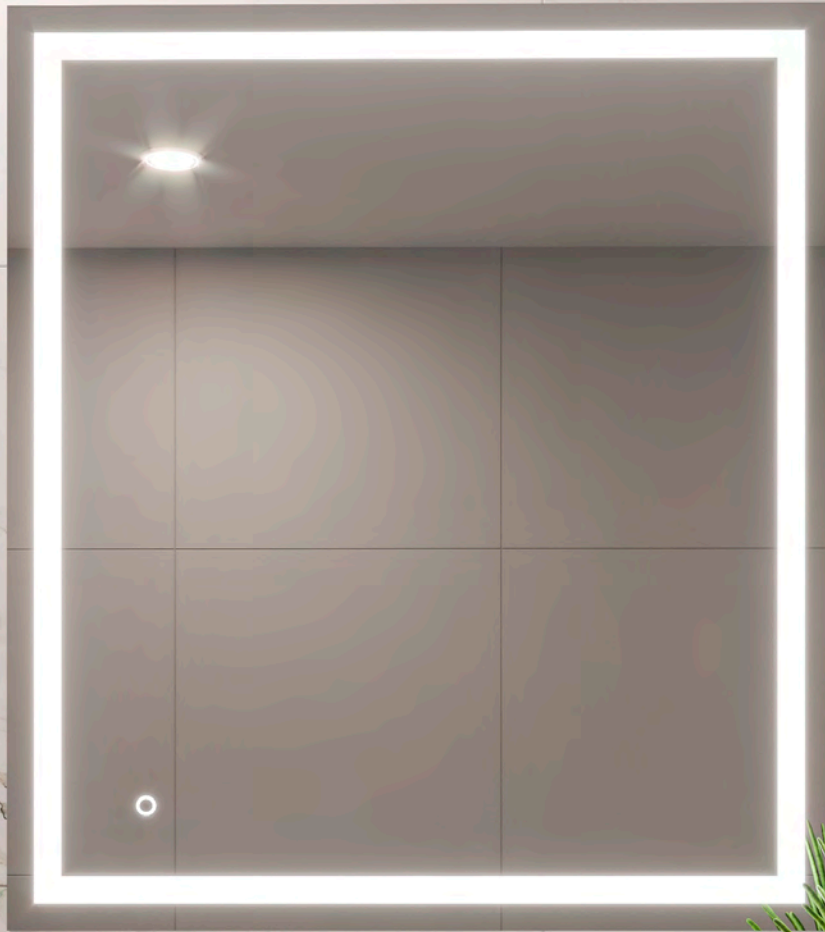










mirrors with integrated lighting

furniture fittings solutions



Emuca S.R.L.

Via Messico, 80 • 35127 Padova (ITALIA)
T. +39 049 8702800 • F. +39 049 87 03019
www.emuca.it • info@emuca.com

Emuca Ltd.

75 Springfield Road • Chelmsford • Essex • CM2 6JG (UK)
T. +44 1268 530 674 • F. +44 1268 282 592
www.emuca.co.uk • sales@emuca.com

Emuca S.A.

Pl. El Oliveral - c/H, 4 • Apartado de correos 176
46394 Ribà-Roja del Túria • Valencia (ESPAÑA)
T. +34 96 166 70 19 • F. +34 96 166 71 82
www.emuca.es • emuca@emuca.com

Emuca S.A.R.L

Parc de l'Aubinière • 2 Avenue des Améthystes
44338 Nantes Cedex 03 (FRANCE)
T. +33 2 49 88 07 35 • F. +33 2 72 22 02 24
www.emuca.fr • emuca@emuca.com

Emuca Lda.

AV. da Liberdade n° 36, 6° • 1250-145 Lisboa (PORTUGAL)
T. +351 211 203 940 • F. +34 96 166 71 82
www.emuca.pt • emuca@emuca.com

